

# SBTL5200 SERIES

**SBTL5200** Swing Barrier Turnstile for additional lane

**SBTL5211** Swing Barrier Turnstile for additional lane  
(w/ controller and RFID reader)

**SBTL5222** Swing Barrier Turnstile for additional lane  
(w/ controller and fingerprint & RFID reader)

The ZKTeco SBTL5200 swing barrier turnstile for additional lane is an elegant cost-effective entrance control system designed for high-traffic volume. The SBTL5200 series should work together with SBTL5000 series to build multiple lanes.

The SBTL5200 is a swing barrier turnstile for additional Lane series designed for smooth and silent operation and draws very little power. It's made of stainless steel which makes SBTL5200 highly durable.

SBTL5200 barriers are normally held in a locked position, thus denying access to the secured side. Upon SBTL5200's reader (RFID and/or fingerprint) positively recognizing a user's valid access card or fingerprint, its barriers swing automatically, thus allowing users passage to the secured side.

SBTL5200 provides both security and convenient space, all in a very durable and elegant compact design.

## FEATURES

### Reliability

- SUS304 stainless steel case ensure long-lasting durability.
- High quality electrical components Safety Features.
- All smooth finish. No exposed screws.
- Ergonomic design makes card and fingerprint authentication fast & simple for users.

### Built-in Reader Integration

- SBTL5200 series already integrated with customers' preference for either card or fingerprint access control reader which greatly reduces installation time & expenses.
- SBTL5200 series and associated access control readers have passed the factory test before shipment.
- ZKTeco provides the plug&play device with the lowest price in the whole industry.

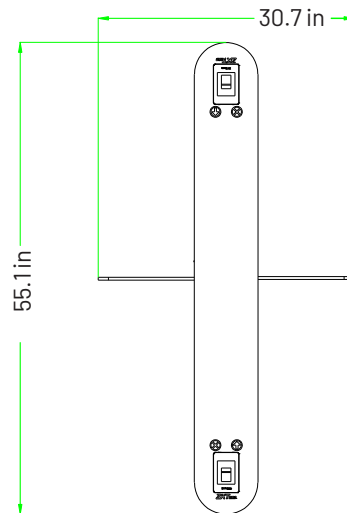
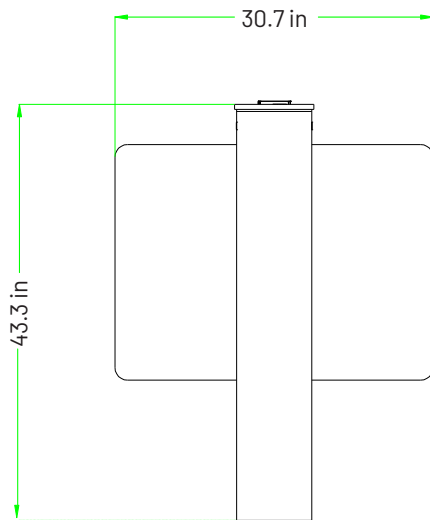
### Simplification

- Simplify structure and connection, easy to maintain.
- Control board with LCD screen, easy to operate.

# SPECIFICATIONS

Power requirements	AC 100 ~ 120V/200 ~ 240V, 50/60Hz
Working temperature	-18.4 F~ 140 F
Working humidity	20%-95% (Non-condensing)
Working environment	Indoor
RFID Speed of Throughput	Maximum 30/ minute
Fingerprint Speed of Throughput	Maximum 25/ minute
Lane width	25.6 in
Footprint	55 in * 30.7 in
Dimensions in	L=55, W=7, H=39.3
Dimension with packing in	L=59, W=10.2, H=43.3
Net weight	158.7 lbs
Weight with packing	191.8 lbs
Cabinet material	SUS304 Stainless Steel
Lid material	Tempered Glass
Barrier material	Tempered Glass
Barrier movement	Swing
Emergency mode	Y
Security level	Medium
MCBF	2 million

# DIMENSIONS (MM)



1600 Union Hill Rd., Alpharetta GA 30005

Phone: (862) 505 - 2101 • Fax: (862) 204 - 5906 • sales@zktecousa.com • www.zktecousa.com

© Copyright 2019. ZKTeco Inc. ZKTeco Logo and ZKTeco USA Logo have registered trademarks of ZKTeco or a related company. All other product and company names mentioned are used for identification purposes only and may be trademarks of their respective owners. All specifications are subject to change without notice. All rights reserved.