



LD5030

Dual Energy X-ray Inspection System

Introduction:

LD5030 X-ray inspection system increases the operator's ability to identify potential threats; the device is designed to scan briefcases, carry-on baggage, and small cargo parcels.

LD5030 uses reliable high quality X-ray generator. With the superb image algorithm, LD5030 could offer clear scanning image, which allows operators to identify potential threat items visually.

LD5030 has innovative biometric identify function for operators, improving the security of system and preventing operator from forgetting password.

With ergonomic modern design, LD5030 could help operators to identify suspicious items fast and accurately.

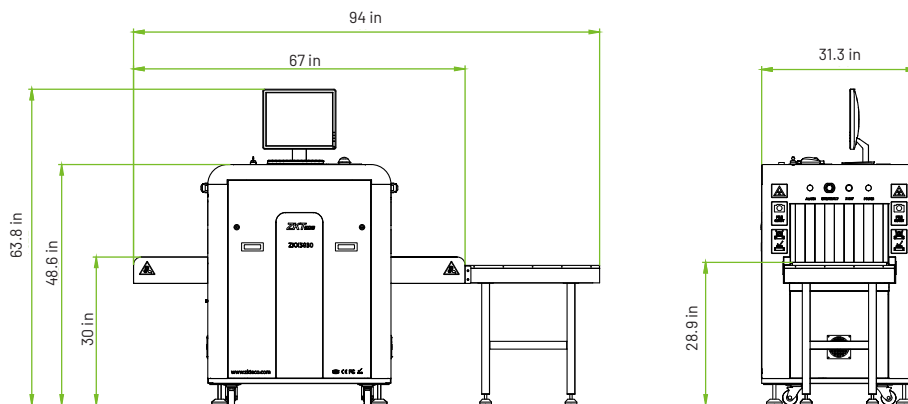
FEATURES

- Offer higher wire resolution with
- HAMAMATSU X-ray detector
- True-color scanning image
- Widely usable for small parcels
- Excellent, ergonomic industrial design
- Energy saving mode (standard)
- Optional bidirection scan
- Optional fingerprint console board
- Optional console desk

SPECIFICATIONS

Tunnel Size (WxH)	20 x 12 inches
Speed	0.20 m/s
Height of Transmission Belt	28.8 in
Maximum Load	≤ 265.6 lbs (adequate distribution)
Wire Resolution	38 AWG (0.004 in metal wire)
Space Definition	Horizontal 0.04 in / Vertical 0.8 in
Penetrate Definition	32 AWG
Penetration	1.3 in steel board
Monitor	17 inch LED
System Function	High density alarm, explosive/drug detect, TIP, luggage counter, system running timer, X-ray emitting timer, training, 64 times continuous zoom in
Film Safety	ASA/ISO 1600 standard of film safety
Tube Voltage	140 KV
Cooling	Seal oil cooling / 100%
Single Inspection Dosage Rate	≤ 1.0 μ Gy
Radiation Leak Dosage	0.1 μ Gy/h (5cm from the surface)
Package Size (LxWxH)	78.3 x 39 x 58.4 in
Package Weight	992 lbs
Power Consumption	1 kVA
Noise	53.8 dB(A)

DIMENSIONS



1600 Union Hill Rd., Alpharetta GA 30005

Phone: (862) 505 - 2101 • Fax: (862) 204 - 5906 • sales@zktecousa.com • www.zktecousa.com

© Copyright 2019. ZKTeco Inc. ZKTeco Logo and ZKTeco USA Logo have registered trademarks of ZKTeco or a related company.

All other product and company names mentioned are used for identification purposes only and may be trademarks of their respective owners.

All specifications are subject to change without notice. All rights reserved.